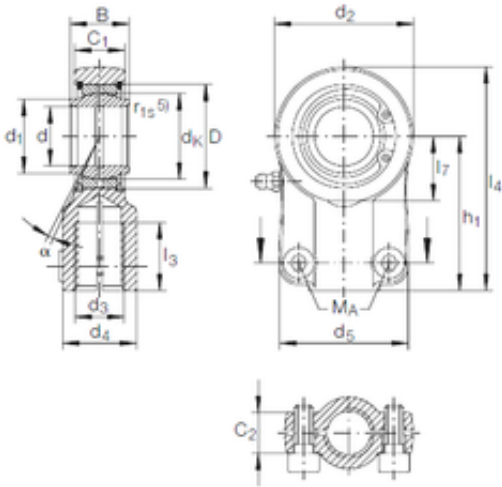




# BEARING Driveshaft USA CORP.



GIHN-K 25 LO Bearing 2D drawings and 3D CAD models

25 mm x 42 mm x 25 mm INA GIHN-K 25 LO plain bearings

Bearing No. GIHN-K 25 LO

|                               |             |
|-------------------------------|-------------|
| Size                          | 25x42x25 mm |
| Bore Diameter                 | 25 mm       |
| Outer Diameter                | 42 mm       |
| Width                         | 25 mm       |
| d                             | 25 mm       |
| D                             | 42 mm       |
| B                             | 25 mm       |
| Screw                         | M8X20       |
| d1                            | 30,5 mm     |
| d2                            | 58 mm       |
| d4                            | 30 mm       |
| dk                            | 35,5 mm     |
| h1                            | 65 mm       |
| l3 min.                       | 29 mm       |
| l4 max.                       | 94 mm       |
| l7 min.                       | 27 mm       |
| C1                            | 21 mm       |
| Thread (G)                    | M20X1,5     |
| Angle                         | 4 °         |
| d5                            | 54 r/min    |
| C2                            | 17 mm       |
| Weight                        | 0,66 Kg     |
| Basic dynamic load rating (C) | 48 kN       |