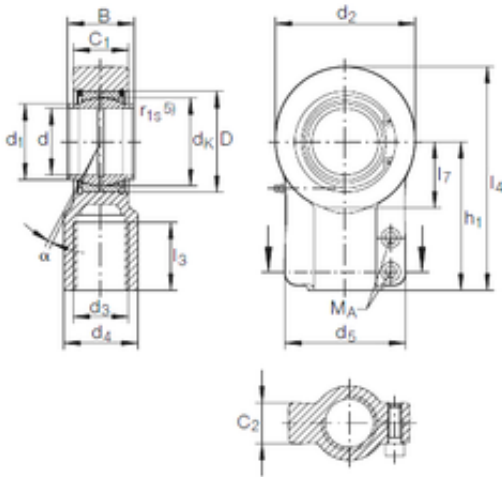




# BEARING Driveshaft USA CORP.



90 mm x 130 mm x 90 mm INA GIHNRK 90 LO plain bearings

Bearing No. GIHNRK 90 LO

GIHNRK 90 LO Bearing 2D drawings and 3D CAD models

Size	90x130x90 mm
Bore Diameter	90 mm
Outer Diameter	130 mm
Width	90 mm
d	90 mm
D	130 mm
B	90 mm
Screw	M16X50
d1	99 mm
d2	185 mm
d4	100 mm
dk	115 mm
h1	195 mm
l3 min.	91 mm
l4 max.	296 mm
l7 min.	85 mm
C1	72 mm
Thread (G)	M72X3
Angle	4 °
d5	160 r/min
C2	52 mm
Weight	17 Kg
Basic dynamic load rating (C)	490 kN