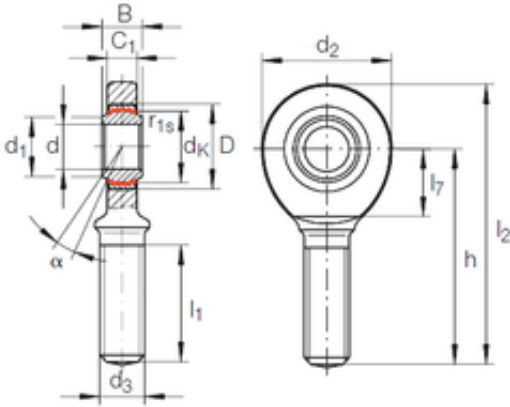




BEARING Driveshaft USA CORP.

50 mm x 75 mm x 35 mm INA GAR 50 UK-2RS
plain bearings



GAR 50 UK-2RS Bearing 2D drawings and 3D CAD models

Bearing No. GAR 50 UK-2RS

Size	50x75x35 mm
Bore Diameter	50 mm
Outer Diameter	75 mm
Width	35 mm
d	50 mm
D	75 mm
B	35 mm
d1	55,9 mm
d2	112 mm
dk	66 mm
h	185 mm
l1 min.	107 mm
l2 max.	241 mm
l7 min.	60 mm
r1 min.	0,6 mm
C1	30 mm
Thread (G)	M45X3
Angle	6 °
Weight	3,4 Kg
Basic dynamic load rating (C)	442 kN