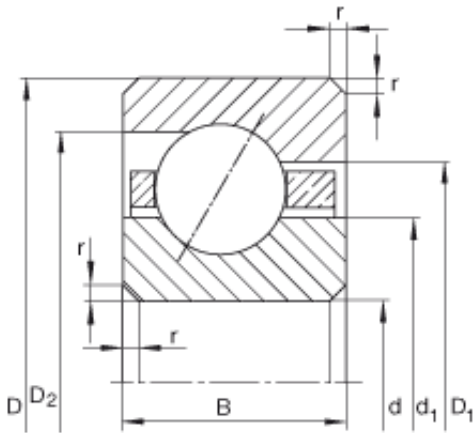




BEARING Driveshaft USA CORP.

3 inch x 88,9 mm x 6,35 mm INA CSEA030
deep groove ball bearings

Bearing No. CSEA030



CSEA030 Bearing 2D drawings and 3D CAD models

Size	76.2x88.9x6.35 mm
Bore Diameter	76,2 mm
Outer Diameter	88,9 mm
Width	6,35 mm
d	76,2 mm
d	3 inch
D	88,9 mm
B	6,35 mm
D ₁	84,2 mm
D ₂	85,6 mm
d ₁	80,9 mm
r _{min}	0,6 mm
m	0,07 kg / Weight
C _r	3750 N / Dynamic load rating (radial)
C _{0r}	4550 N / Static load rating (radial)