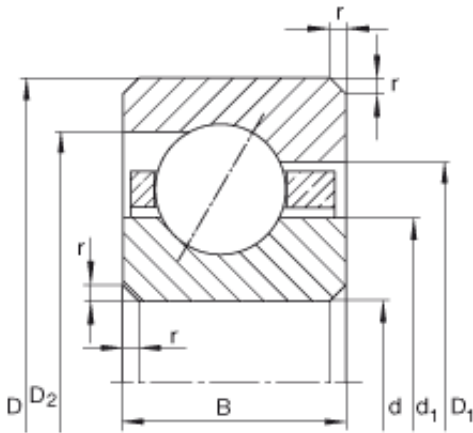




BEARING Driveshaft USA CORP.

2 1/2 inch x 76,2 mm x 6,35 mm INA CSEA025
deep groove ball bearings

Bearing No. CSEA025



CSEA025 Bearing 2D drawings and 3D CAD models

| | |
|------------------|---------------------------------------|
| Size | 63.5x76.2x6.35 mm |
| Bore Diameter | 63,5 mm |
| Outer Diameter | 76,2 mm |
| Width | 6,35 mm |
| d | 63,5 mm |
| d | 2 1/2 inch |
| D | 76,2 mm |
| B | 6,35 mm |
| D ₁ | 71,5 mm |
| D ₂ | 72,9 mm |
| d ₁ | 68,2 mm |
| r _{min} | 0,6 mm |
| m | 0,06 kg / Weight |
| C _r | 3550 N / Dynamic load rating (radial) |
| C _{0r} | 3800 N / Static load rating (radial) |